

# WINTECH MOTORS

DC Motors

R550/555 SERIES

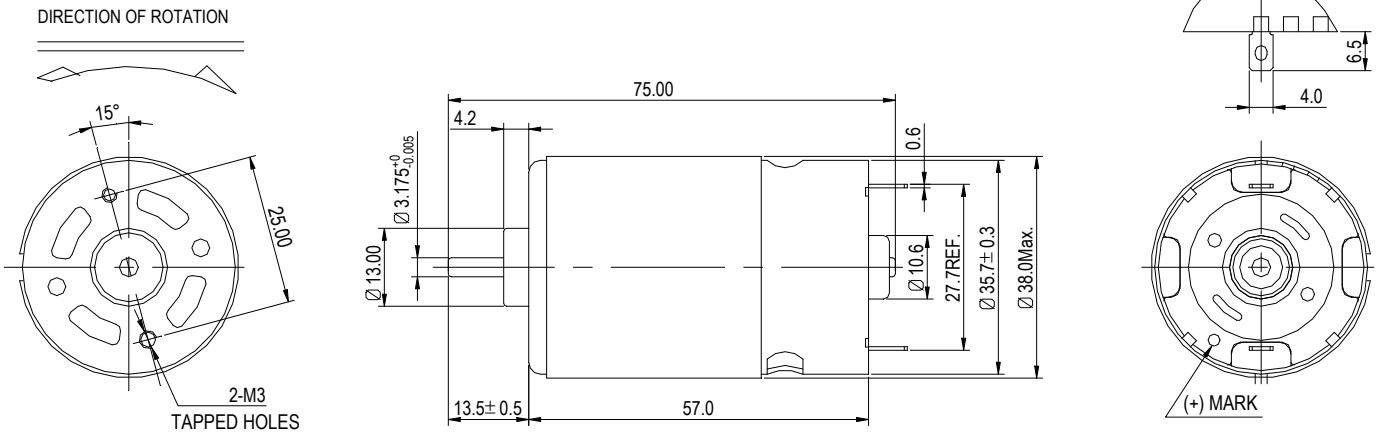
## Typical Applications:

Power Tools

Household Appliances



WEIGHT: 215.0 g (APPROX)

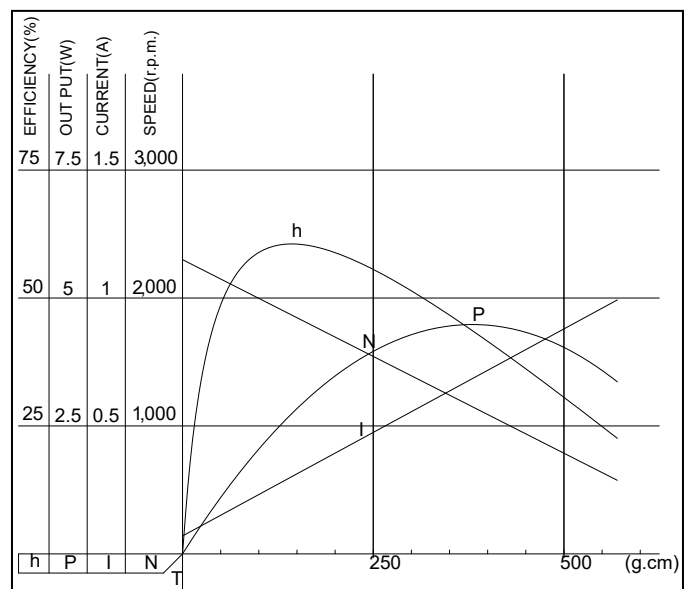
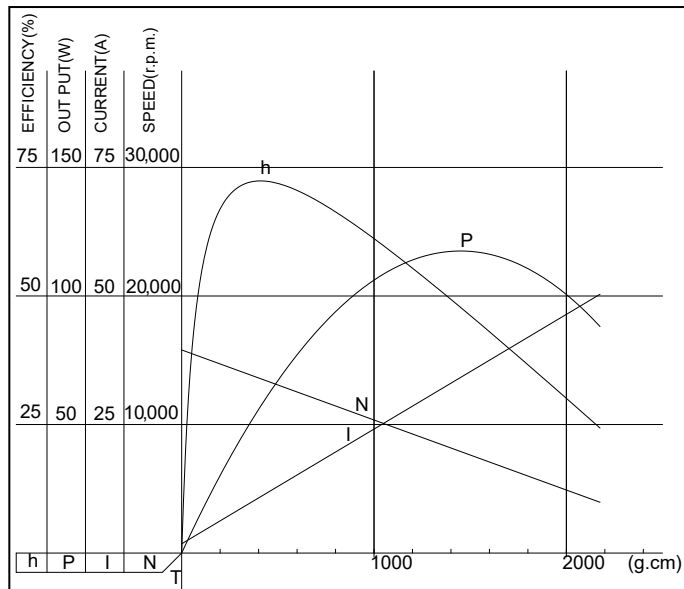


UNIT : mm

MODEL	VOLTAGE		NO LOAD		AT MAX.EFFICIENCY					STALL	
	OPERATING RANGE	NOMINAL	SPEED	CURRENT	SPEED	CURRENT	TORQUE	OUTPUT	EFF.	CURRENT	TORQUE
			rpm	A	rpm	A	g-cm	W	%	A	g-cm
RS550SM-7522-75	3.6~9.6V	7.2V	15800	1.80	13620	10.70	400.0	56.00	72.5	66.50	2900.0
RS550SM-6237-75	6.0~18.0V	18.0V	21000	1.15	18640	8.74	550.0	105.30	67.0	68.70	4900.0
RS555SP-19160-75	12.0~30.0V	15.0V	2300	0.07	1800	0.30	143.0	2.64	58.7	1.30	760.0
RS555SM-3250-75	9.6~30.0V	12.0V	6100	0.24	5300	1.49	229.0	12.40	69.4	9.20	1650.0

RS550SM-7522-75 7.2 V

RS555SP-19160-75 15.0 V



Wintech Precision Industrial Ltd.

Http://www.wintechpil.com