

WINTECH MOTORS

DC Motors

R390/395 SERIES

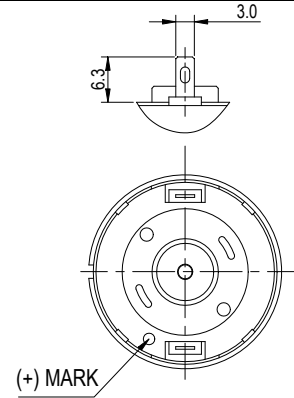
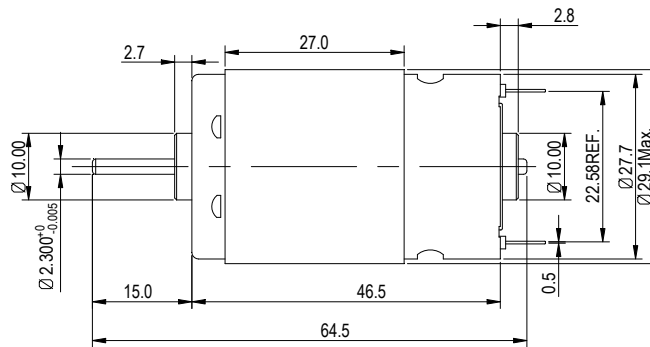
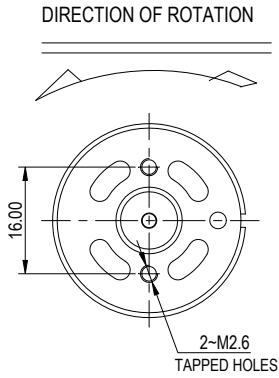
Typical Applications:

Power Tools

Household Appliances



WEIGHT: 90.0 g (APPROX)

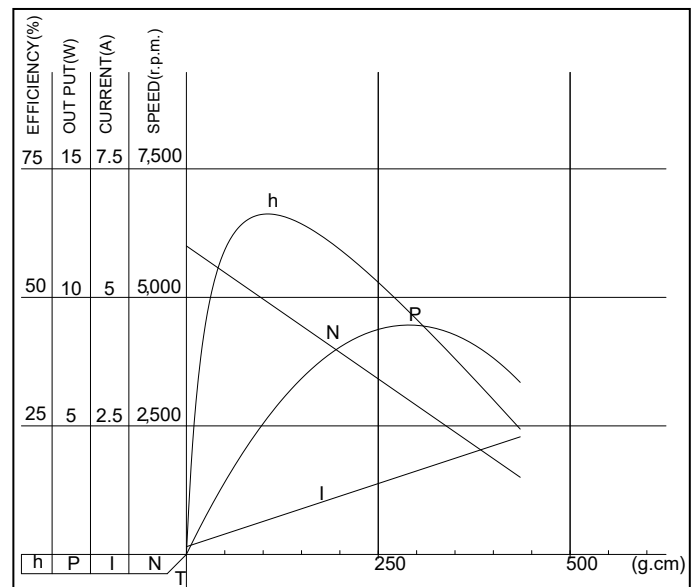
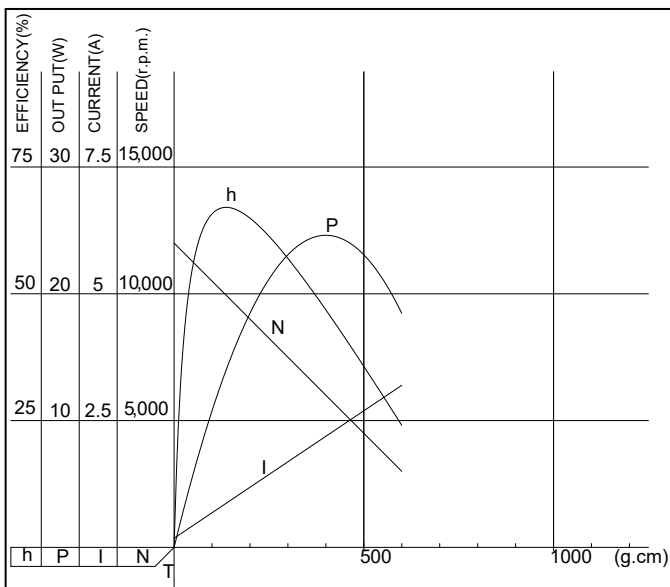


UNIT : mm

MODEL	VOLTAGE		NO LOAD		AT MAX. EFFICIENCY					STALL	
	OPERATING RANGE	NOMINAL	SPEED	CURRENT	SPEED	CURRENT	TORQUE	OUTPUT	EFF.	CURRENT	TORQUE
			rpm	A	rpm	A	g-cm	W	%	A	g-cm
RS390SP-19150-65	6.0~24.0V	24.0V	12000	0.18	9940	0.87	137.0	13.99	67.0	4.20	800.0
RS390SM-3260-65	6.0~18.0V	12.0V	14800	0.35	12850	2.24	142.0	18.70	69.2	14.50	1080.0
RS395SP-2180-65	9.0~27.0V	12.0V	6000	0.15	4900	0.67	106.0	5.33	66.2	3.00	580.0
RS395SM-2560-65	6.0~18.0V	12.0V	8000	0.20	6750	1.05	120.8	8.50	65.8	5.50	750.0

RS390SP-19150-65 24.0 V

RS395SP-2180-65 12.0 V



Wintech Precision Industrial Ltd.

Http://www.wintechpil.com