

# WINTECH MOTORS

DC Motors

R360/365 SERIES

## Typical Applications:

Toys & Models

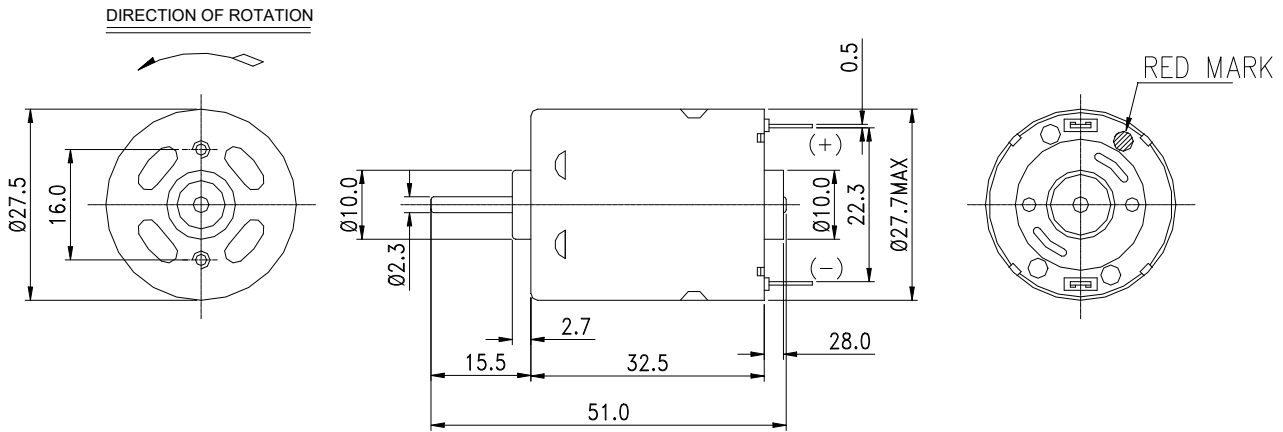
Household Appliances

Massage Products

Office Equipment



WEIGHT: 54.0 g (APPROX)

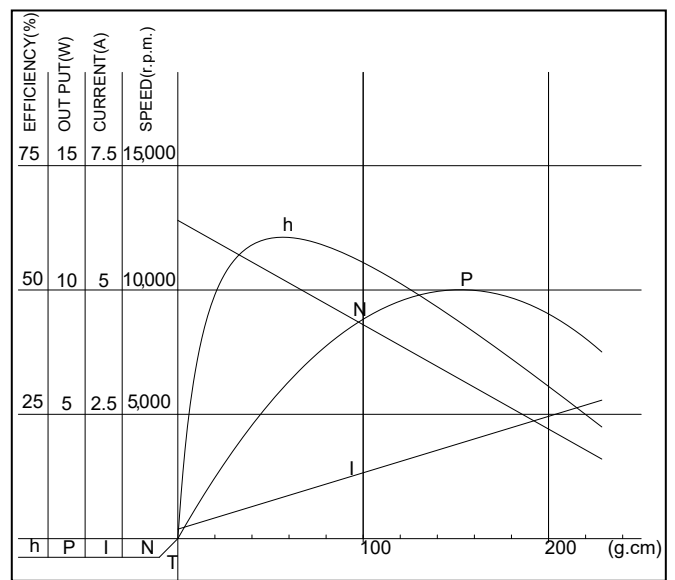
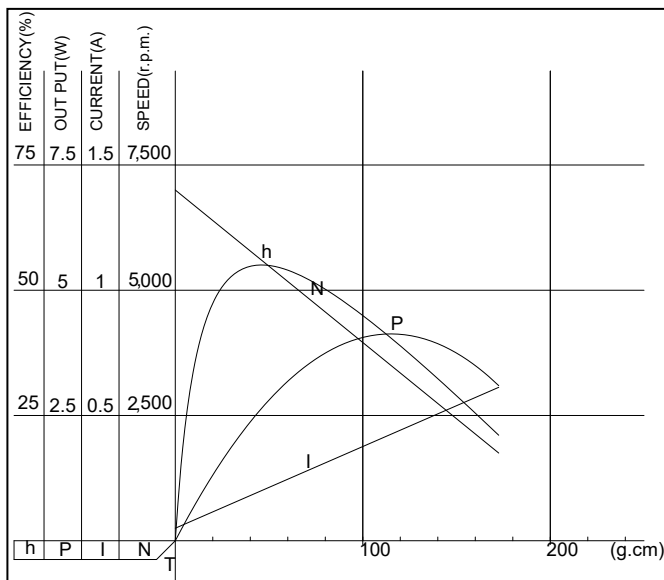


UNIT : mm

MODEL	VOLTAGE		NO LOAD		AT MAX.EFFICIENCY					STALL	
	OPERATING RANGE	NOMINAL	SPEED	CURRENT	SPEED	CURRENT	TORQUE	OUTPUT	EFF.	CURRENT	TORQUE
			rpm	A	rpm	A	g-cm	W	%	A	g-cm
RS360SP-10500-47	12.0~24.0V	24.0V	7000	0.05	5600	0.20	47.5	2.71	55.1	0.80	230.0
RS360SM-14280-47	6.0~24.0V	12.0V	6300	0.09	5000	0.34	42.0	2.15	52.7	1.36	214.0
RS365SP-2080-47	6.0~18.0V	12.0V	12800	0.19	10420	0.83	56.7	6.06	60.6	3.65	306.0
RS365SM-12190-47	6.0~24.0V	24.0V	10500	0.080	8480	0.33	50.2	4.32	57.0	1.32	260.0

RS360SP-10500-47 24.0 V

RS365SP-2080-47 12.0 V



Wintech Precision Industrial Ltd.

Http://www.wintechpil.com