

# WINTECH MOTORS

DC Motors

R310 SERIES

## Typical Applications:

Toys & Models

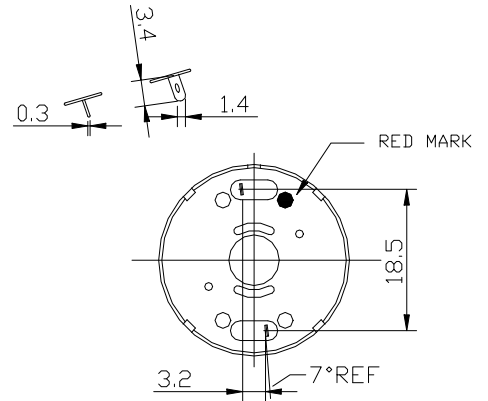
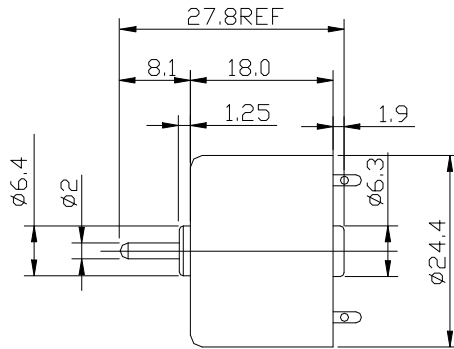
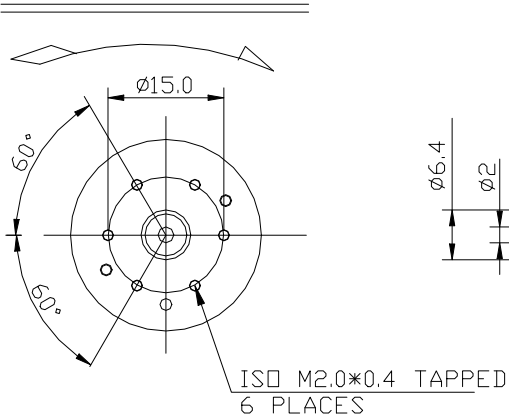
Household Appliances

Audio & Visual Equipments



WEIGHT: 30.0 g (APPROX)

DIRECTION OF ROTATION

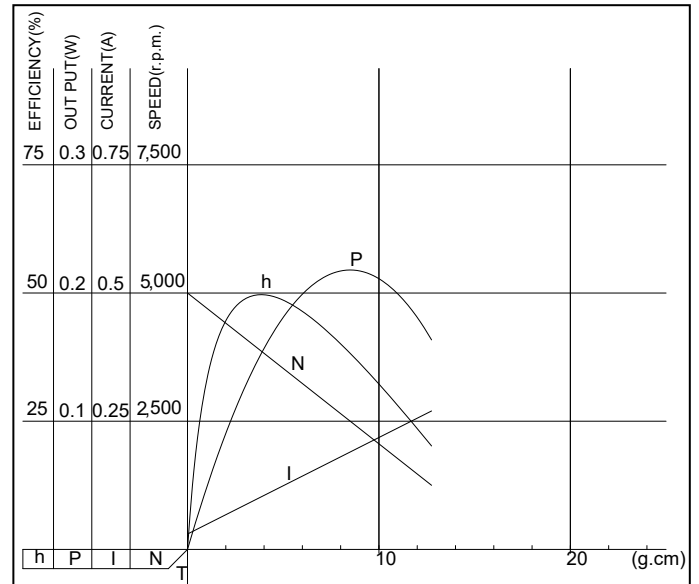
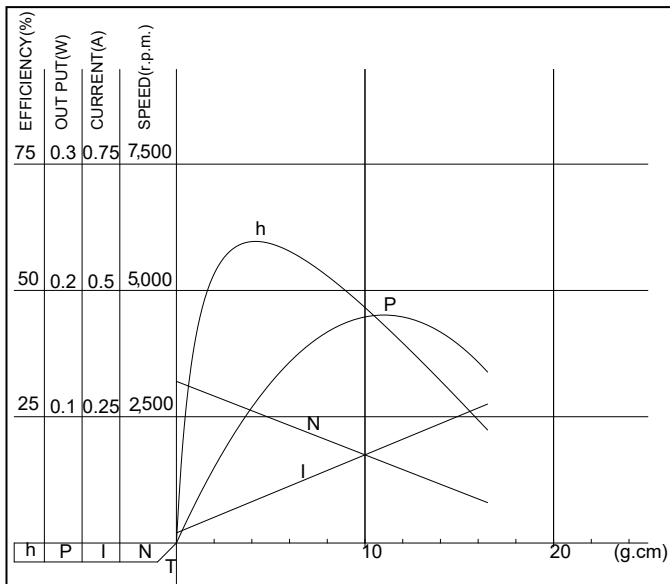


UNIT : mm

MODEL	VOLTAGE		NO LOAD		AT MAX.EFFICIENCY					STALL	
	OPERATING RANGE	NOMINAL	SPEED	CURRENT	SPEED	CURRENT	TORQUE	OUTPUT	EFF.	CURRENT	TORQUE
			rpm	A	rpm	A	g-cm	W	%	A	g-cm
RE310CM-13250-25	1.2~6.0V	2.2V	3200	0.02	2590	0.085	4.2	0.11	59.7	0.36	22.0
RE310CM-09500-25	1.5~6.0V	4.5V	3650	0.015	2865	0.05	4.1	0.12	48.5	0.20	19.0
RE310CM-14260-25	1.5~6.0V	3.0V	5000	0.03	3870	0.1	3.85	0.15	49.5	0.35	17.0

RE310CM-13250-25 2.2 V

RE310CM-14260-25 3.0 V



Wintech Precision Industrial Ltd.

Http://www.wintechpil.com