

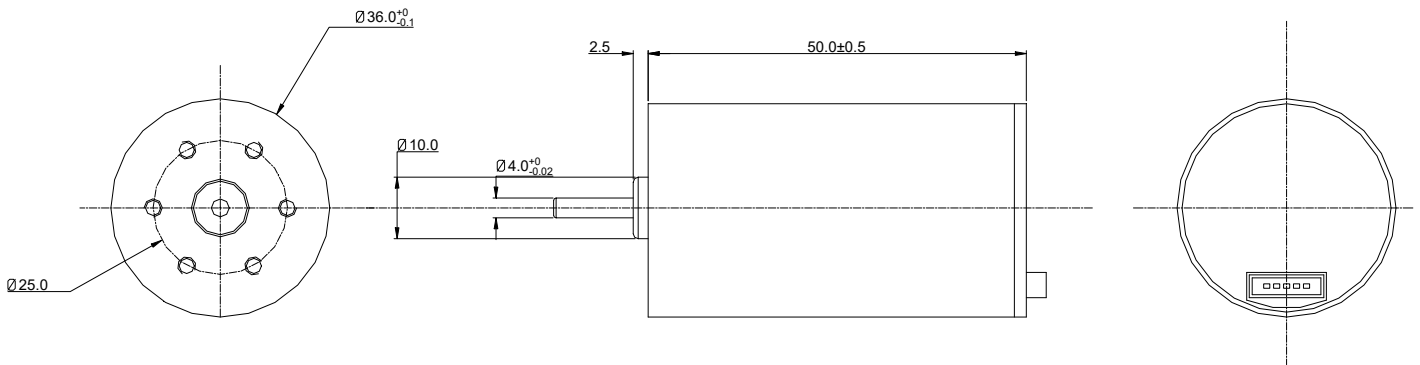
WINTECH MOTORS

BRUSHLESS MOTORS

BL36 SERIES

Typical Applications:

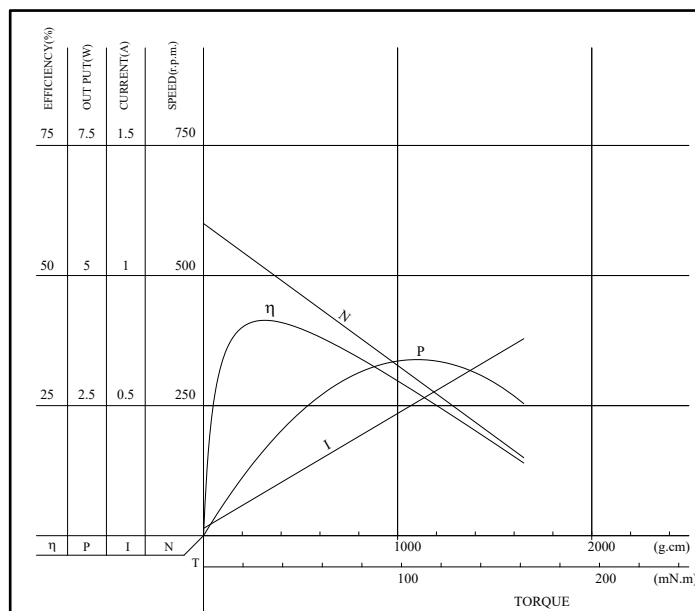
- Toys & Models* *ATM Machine*
- Household Appliances* *Medicine Equipment*
- Office Equipment* *Brushless Pump*
- Electric Curtains*



UNIT : mm

MODEL	VOLTAGE		NO LOAD		AT MAX.EFFICIENCY					STALL	
	OPERATING RANGE	NOMINAL	SPEED	CURRENT	SPEED	CURRENT	TORQUE	OUTPUT	EFF.	CURRENT	TORQUE
			rpm	A	rpm	A	g-cm	W	%	A	g-cm
BL3650	4.5~24.0V	24.0V	600	0.028	580	0.3	300	2	45	1	2200

BL3650 24.0 V



Wintech Precision Industrial Ltd.

[Http://www.wintechpil.com](http://www.wintechpil.com)