

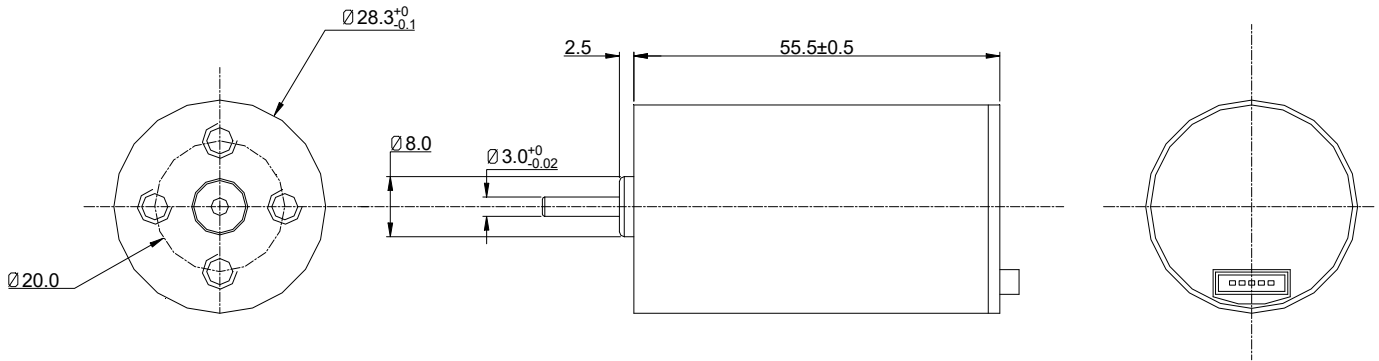
WINTECH MOTORS

BRUSHLESS MOTORS

BL28 SERIES

Typical Applications:

- Electric Tools*
- Household Appliances*
- Office Equipment*
- Precision Instruments*
- Medical Equipment*
- Robot*

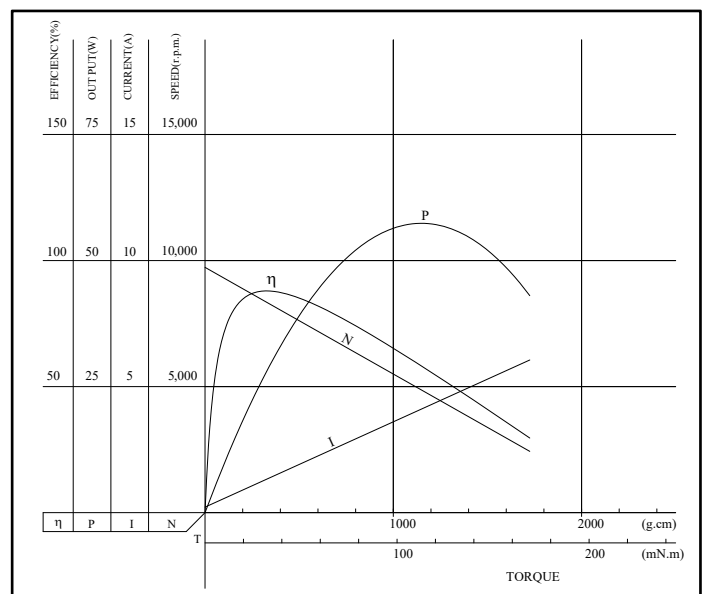
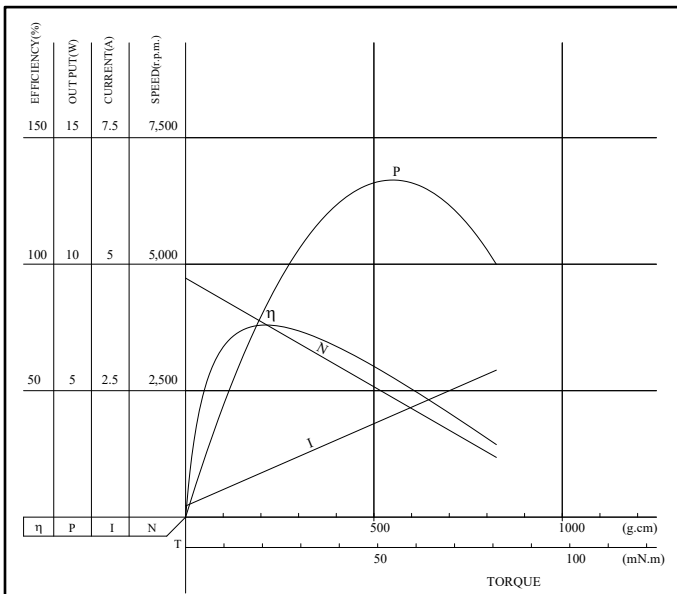


UNIT : mm

MODEL	VOLTAGE		NO LOAD		AT MAX.EFFICIENCY					STALL	
	OPERATING RANGE	NOMINAL	SPEED	CURRENT	SPEED	CURRENT	TORQUE	OUTPUT	EFF.	CURRENT	TORQUE
			rpm	A	rpm	A	g-cm	W	%	A	g-cm
BL2856	3.0~12.0V	12.0V	4725	0.22	3821	0.93	215	8.62	76	3.8	1100
BL2856	4.5~24.0V	24.0V	9730	0.22	8336	1.32	332	29.01	85	8	2300

BL2856 12.0 V

BL2856 24.0 V



Wintech Precision Industrial Ltd.

[Http://www.wintechpil.com](http://www.wintechpil.com)