

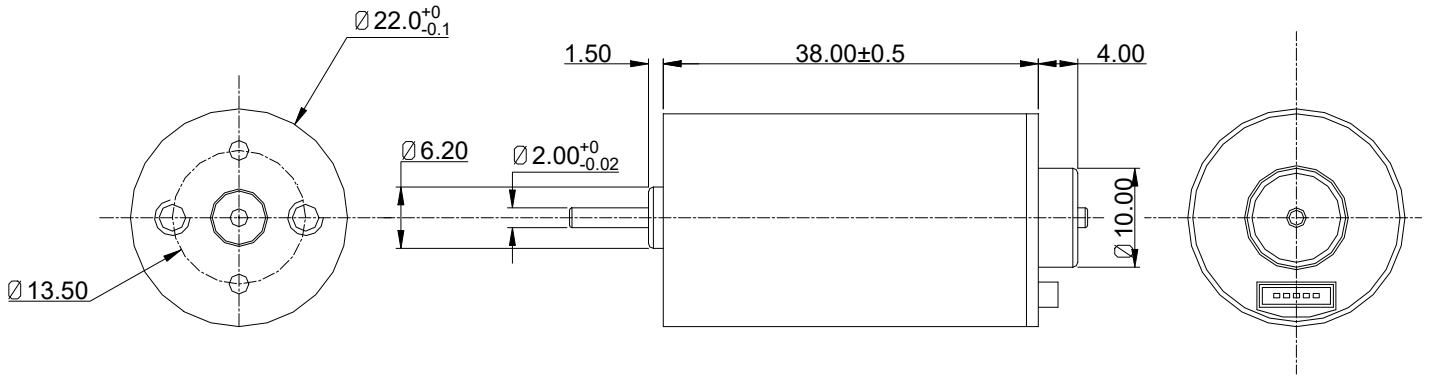
WINTECH MOTORS

BRUSHLESS MOTORS

BL22 SERIES

Typical Applications:

- Electric Tools*
- Household Appliances*
- Office Equipment*
- Precision Instruments*
- Medical Equipment*
- Robot*

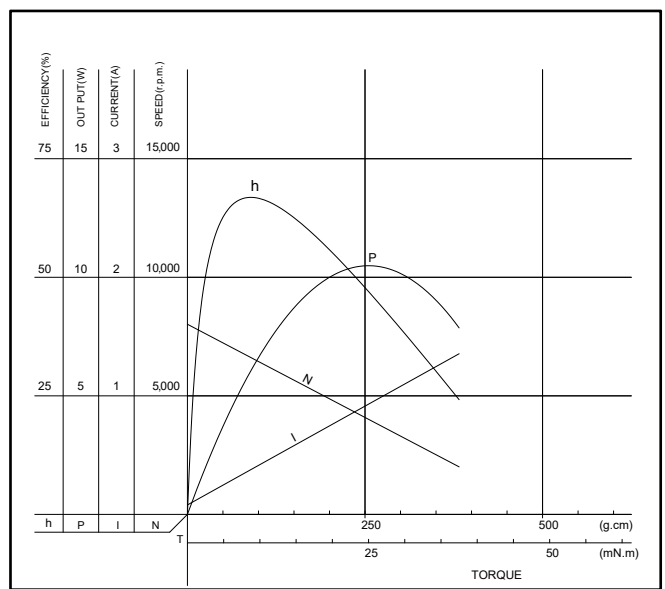
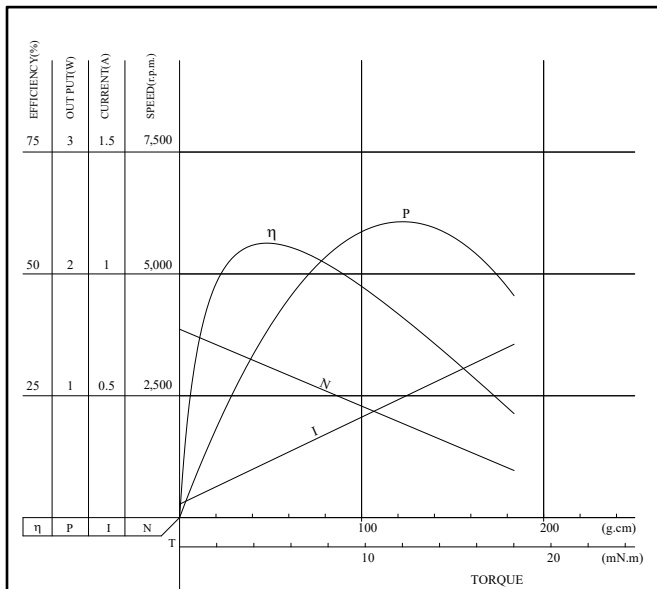


UNIT : mm

MODEL	VOLTAGE		NO LOAD		AT MAX.EFFICIENCY					STALL	
	OPERATING RANGE	NOMINAL	SPEED	CURRENT	SPEED	CURRENT	TORQUE	OUTPUT	EFF.	CURRENT	TORQUE
			rpm	A	rpm	A	g-cm	W	%	A	g-cm
BL2238	3.0~12.0V	12.0V	3865	0.1	3056	0.3	49	1.6	62	1.3	245
BL2238	4.5~24.0V	24.0V	8020	0.15	6757	0.4	76	5.5	57.5	1.8	510

BL2238 12.0 V

BL2238 24.0 V



Wintech Precision Industrial Ltd.

[Http://www.wintechpil.com](http://www.wintechpil.com)